

**WIRING DIAGRAMS**  
**Article Text**  
1991 Volkswagen Golf  
For <http://volkswagen.msk.ru>  
Copyright © 1998 Mitchell Repair Information Company, LLC  
Monday, January 29, 2001 12:34AM

**ARTICLE BEGINNING**

1991 WIRING DIAGRAMS  
Volkswagen

Golf GL & GTI

**COMPONENT LOCATION MENU**

COMPONENT LOCATIONS TABLE

Component	Figure No. (Location)
A/C COMP CLUTCH .....	6 (C 23)
A/C SWITCH .....	6 (E 20-21)
A/T CONSOLE LIGHT .....	4 (C 12), 4 (C 14)
ALTERNATOR .....	1 (C 3)
BACK-UP LT SW .....	8 (E 28)
BATTERY .....	1 (A 2)
BEAM SELECT SWITCH .....	6 (A 20), 6 (A 22)
BLOWER RESISTOR .....	4 (B 15)
BRAKE FLUID LEVEL SWITCH .....	8 (B 31)
CIG LIGHTER .....	7 (A 24)
CIS-E MOTRONIC CONTROL UNIT .....	3 (A-C 11)
COOLANT LOW LEVEL SENDER .....	7 (B 27)
COOLANT TEMP SENDER .....	7 (A-B 27)
CRUISE CONTROL .....	4 (D-E 12-15)
DEFOGGER SWITCH .....	8 (E 29)
DIAG CONN (CALIF) .....	2 (C 7)
DIAG CONN (GTI 16V) .....	3 (D 11)
DIGIFANT CONTROL UNIT (CALIF) .....	2 (A-B 7)
DIGIFANT CONTROL UNIT (EX CALIF) .....	2 (D-E 7)
DIR SWITCH .....	6 (A 21), 6 (A 23)
DOOR SWITCHS .....	7 (A 25-26)
EMERGENCY FLASHER SWITCH .....	6 (A 20-22), 6 (A 23)
FOG LIGHT SWITCH .....	7, 8 (A 27-28)
FRESH AIR CONTROL ILLUM LIGHT .....	6 (E 22)
FRESH AIR FAN SWITCH (W/ A/C) .....	6 (E 22)
FRESH AIR FAN SWITCH (W/O A/C) .....	4 (A 15)
FUEL INJECTORS .....	2 (A 5), 2 (E 5)
FUEL PUMP .....	5 (E 19)
FUEL TANK UNIT .....	5 (E 19)
FUSE/RELAY PANEL .....	5, 6, 7, 8 (C 16-31)
FUSE/RELAY PANEL LAYOUT .....	7 (A-B 12-14)
GEAR SELECT SWITCH .....	4 (C 13), 4 (C 14)
GLOVE COMPT LIGHT .....	7 (E 27)
IGNITION BOOSTER .....	2 (C 4), 3 (E 11)
IGNITION COIL .....	2 (D 7)
IGNITION SW .....	5 (A 16)
INSTRUMENT CLUSTER .....	9 (A-C 32-33)
INTERIOR LIGHT DELAY SWITCH .....	7 (A 24-25)
LEFT FRONT DOOR SWITCH .....	7 (B 26)

# WIRING DIAGRAMS

## Article Text (p. 2)

1991 Volkswagen Golf

For <http://volkswagen.msk.ru>

Copyright © 1998 Mitchell Repair Information Company, LLC

Monday, January 29, 2001 12:34AM

LIGHT SWITCH .....	5 (A-B 18-19)
LUGGAGE COMPT LIGHT .....	9 (D 35)
MAIN HEATER FUSE .....	6 (D 21)
MEMORY SWITCH .....	8 (A 28)
MIRROR HEATERS .....	9 (C 34)
O2 SENSOR .....	2 (B 4), 2 (C 5), 3 (B 8)
OIL PRESSURE SWITCHS .....	7 (A 27)
OIL TEMP SENSOR .....	8 (B 28)
OUTSIDE AIR TEMP SENSOR .....	8 (B 28)
PARK BRAKE SWITCH .....	8 (B 31)
POWER MIRRORS .....	9 (B-C 33-34)
POWER SEATS .....	9 (A-B 34)
POWER WINDOWS .....	9 (D-E 32-34)
RADIATOR COOLING FAN (W/ A/C) .....	6 (D 20)
RADIATOR COOLING FAN (W/O A/C) .....	1 (E 3)
RAD COOLING FAN AFTER RUN CTRL UNIT .....	1 (D 3)
RADIO (PARTIAL) .....	4 (B 15)
REAR WIPER SYSTEM .....	7 (C-E 26-27)
SEAT BELT SWITCH .....	8 (E 31)
SHIFT LOCK CONTROL UNIT .....	4 (D 12)
STARTER .....	1 (A 3)
STARTER INTERLOCK RELAY (W/SHIFT LOCK) .....	1 (B 3)
STARTER INTERLOCK RELAY (W/O SHIFT LOCK) .....	8 (E 31)
STOP LT SW .....	8 (B 30)
VACUUM VENT VALVE .....	4 (E 13)
VANITY MIRROR .....	7 (A 25)
W/SHIELD WIPER SYSTEM .....	7 (C-E 24-26)
WARNING MODULE .....	8 (A 30-31)

---

## WIRING DIAGRAMS

**WIRING DIAGRAMS**  
**Article Text (p. 3)**  
 1991 Volkswagen Golf  
 For <http://volkswagen.msk.ru>  
 Copyright © 1998 Mitchell Repair Information Company, LLC  
 Monday, January 29, 2001 12:34AM

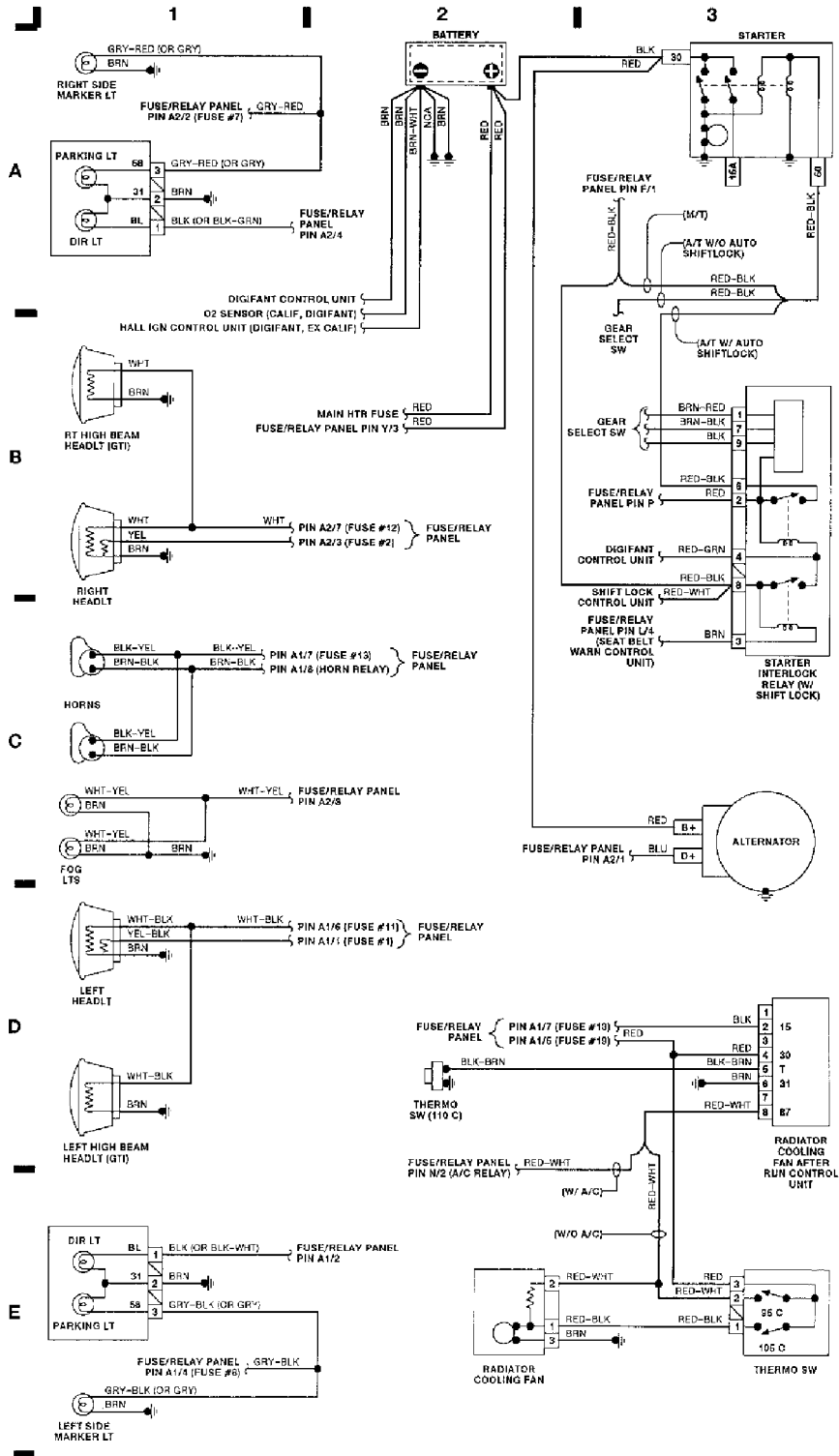


Fig. 1: Engine Compartment & Headlights (Grid 1-3)

**WIRING DIAGRAMS**  
**Article Text (p. 4)**  
 1991 Volkswagen Golf  
 For <http://volkswagen.msk.ru>  
 Copyright © 1998 Mitchell Repair Information Company, LLC  
 Monday, January 29, 2001 12:34AM

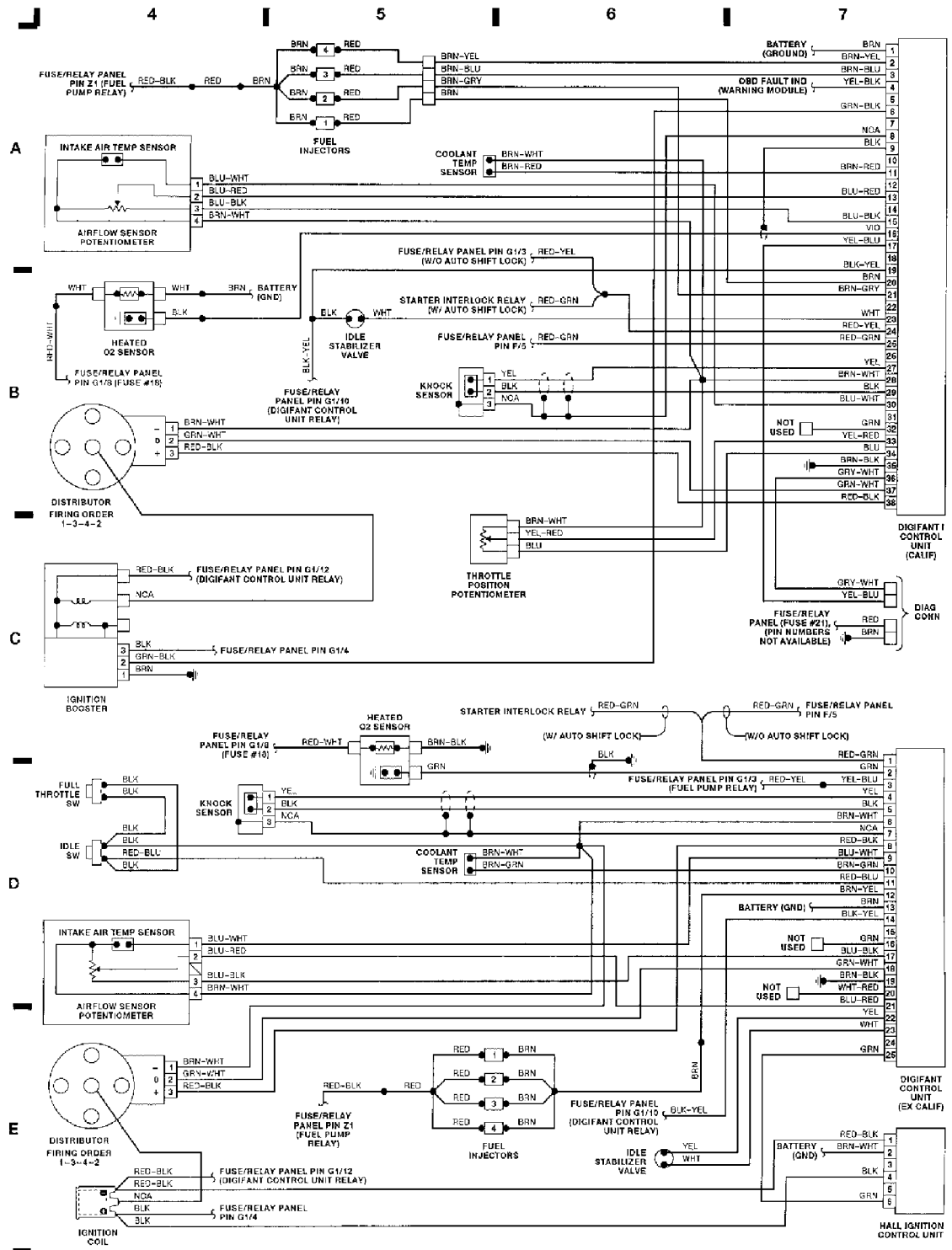


Fig. 2: Computer Engine Control, Hall Ign Ctrl Unit (Grid 4-7)

**WIRING DIAGRAMS**  
**Article Text (p. 5)**  
 1991 Volkswagen Golf  
 For <http://volkswagen.msk.ru>  
 Copyright © 1998 Mitchell Repair Information Company, LLC  
 Monday, January 29, 2001 12:34AM

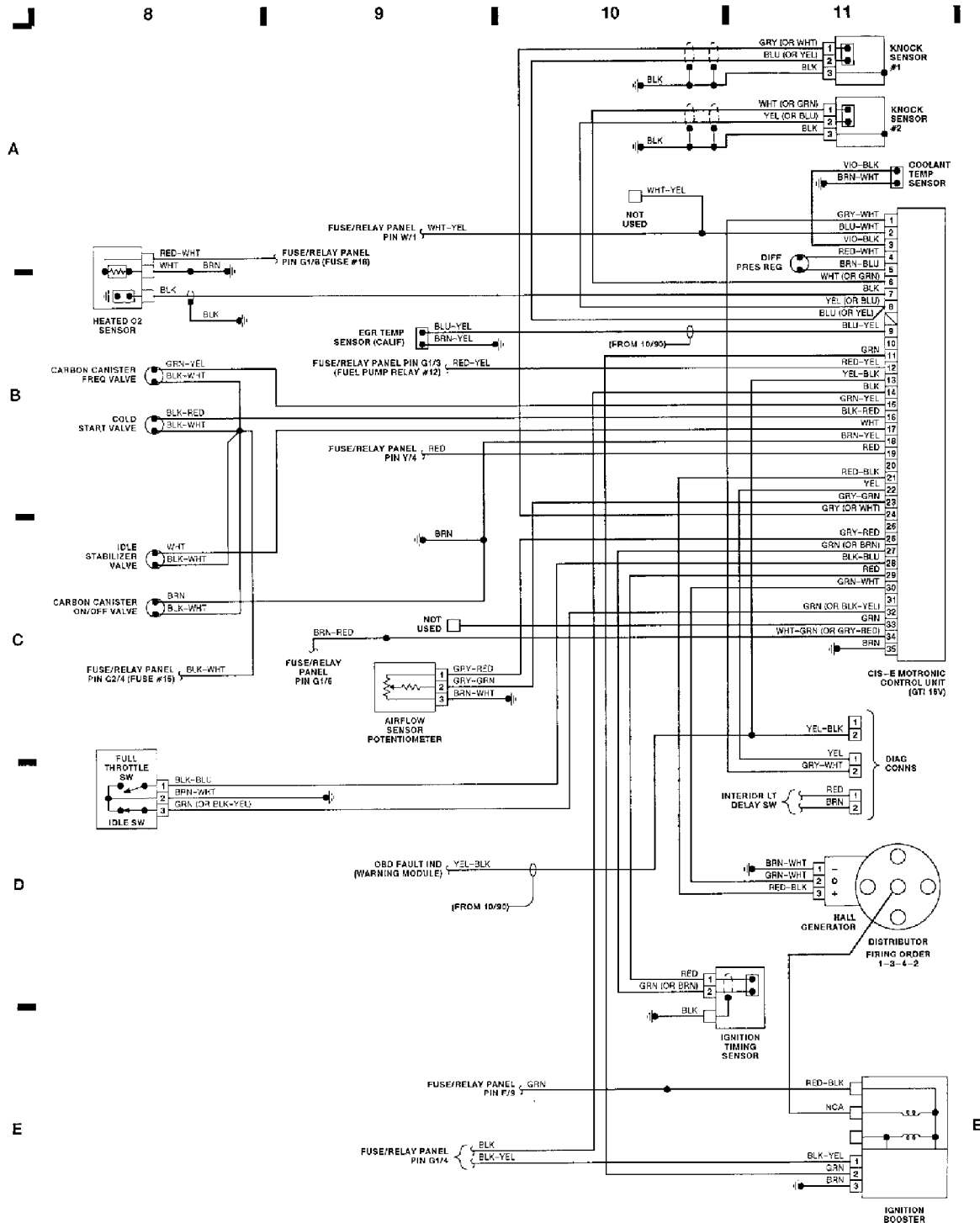


Fig. 3: Computer Engine Ctrl (GTI 16V) (Grid 8-11)

**WIRING DIAGRAMS**  
**Article Text (p. 6)**  
 1991 Volkswagen Golf  
 For <http://volkswagen.msk.ru>  
 Copyright © 1998 Mitchell Repair Information Company, LLC  
 Monday, January 29, 2001 12:34AM

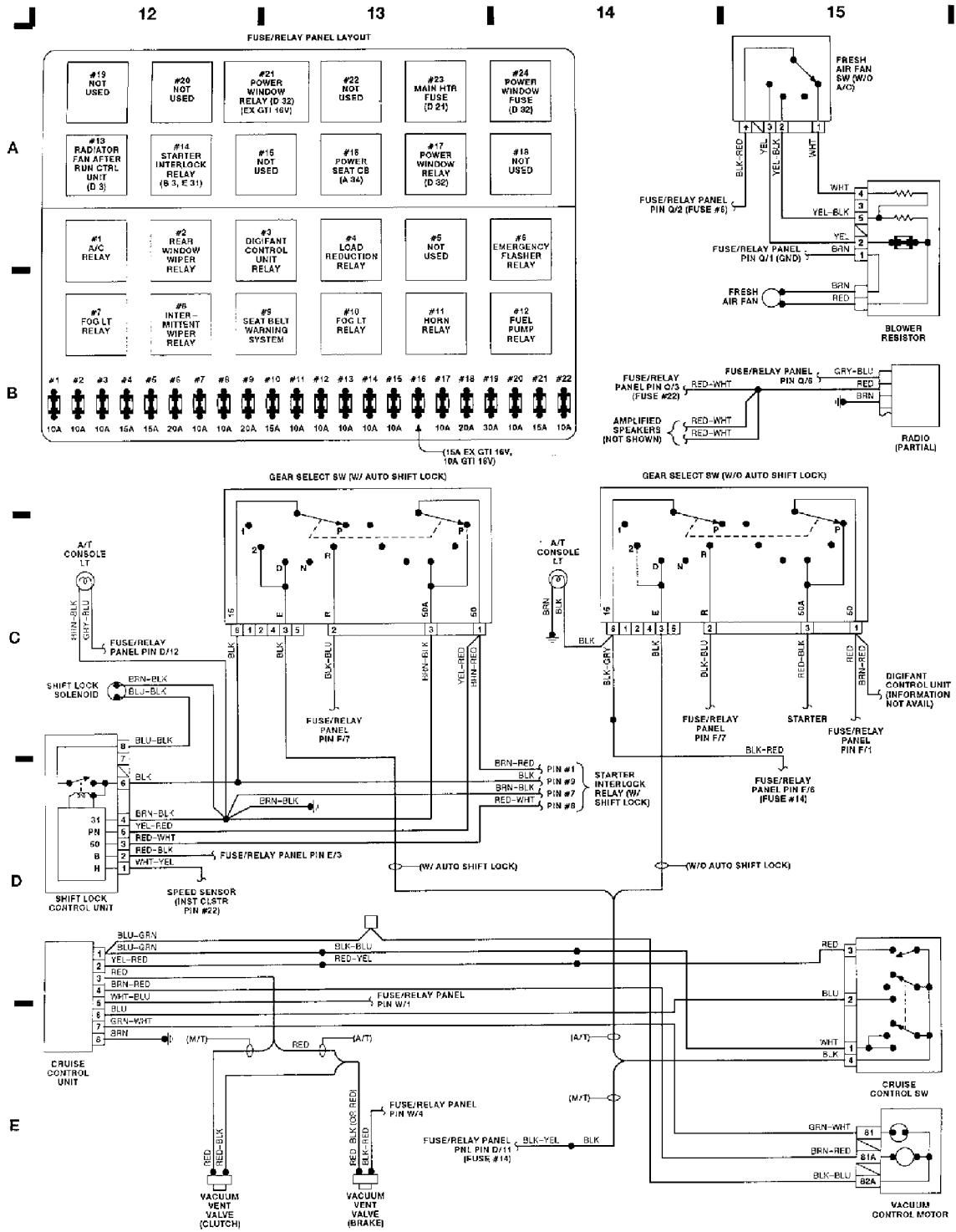


Fig. 4: Fuse/Relay Panel Layout, Cruise Ctrl (Grid 12-15)

**WIRING DIAGRAMS**  
**Article Text (p. 7)**  
 1991 Volkswagen Golf  
 For <http://volkswagen.msk.ru>  
 Copyright © 1998 Mitchell Repair Information Company, LLC  
 Monday, January 29, 2001 12:34AM

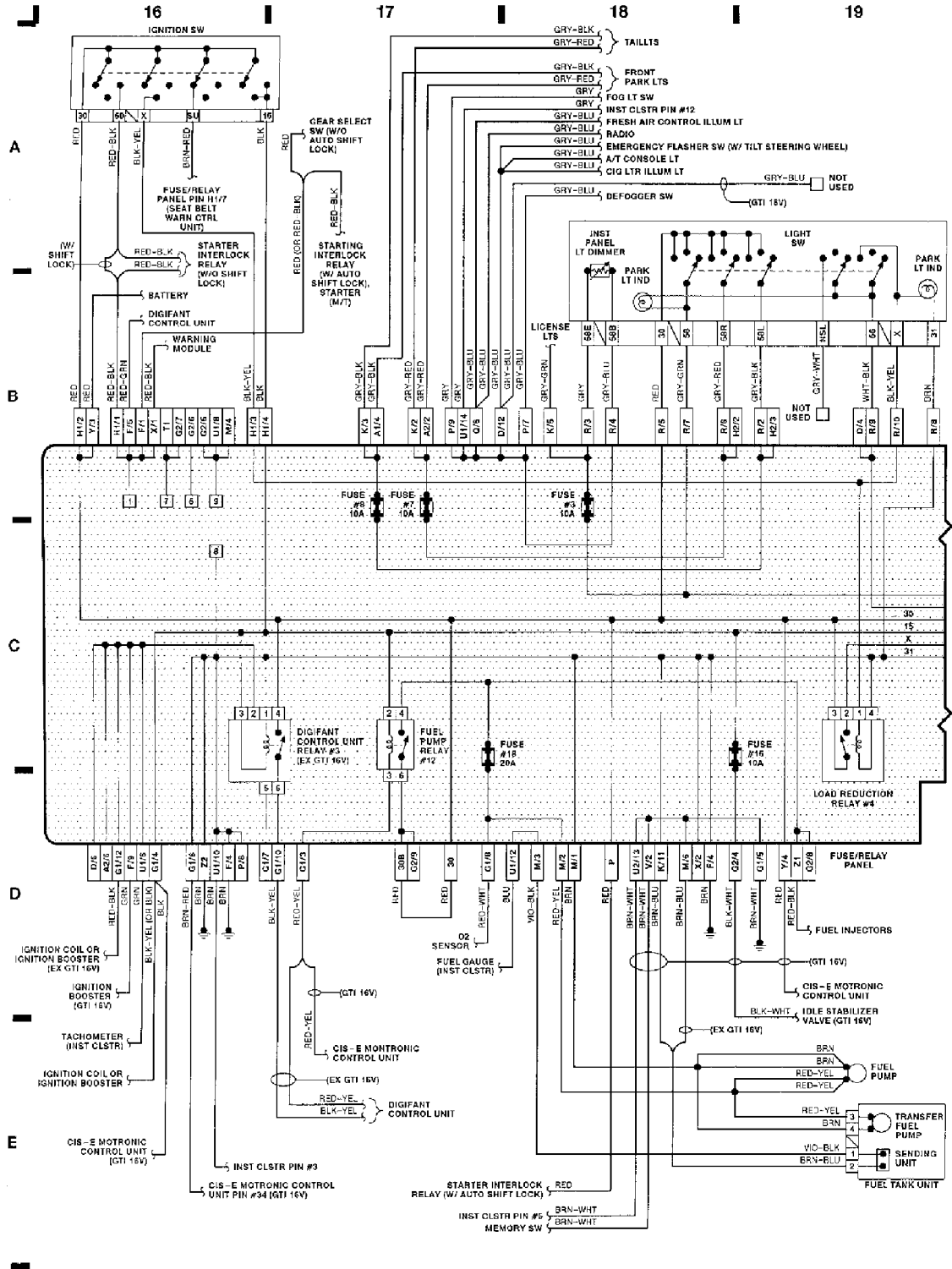


Fig. 5: Fuse/Relay Panel 1 of 4, Ign Sw, Fuel Tank (Grid 16-19)

**WIRING DIAGRAMS**  
**Article Text (p. 8)**  
 1991 Volkswagen Golf  
 For <http://volkswagen.msk.ru>  
 Copyright © 1998 Mitchell Repair Information Company, LLC  
 Monday, January 29, 2001 12:34AM

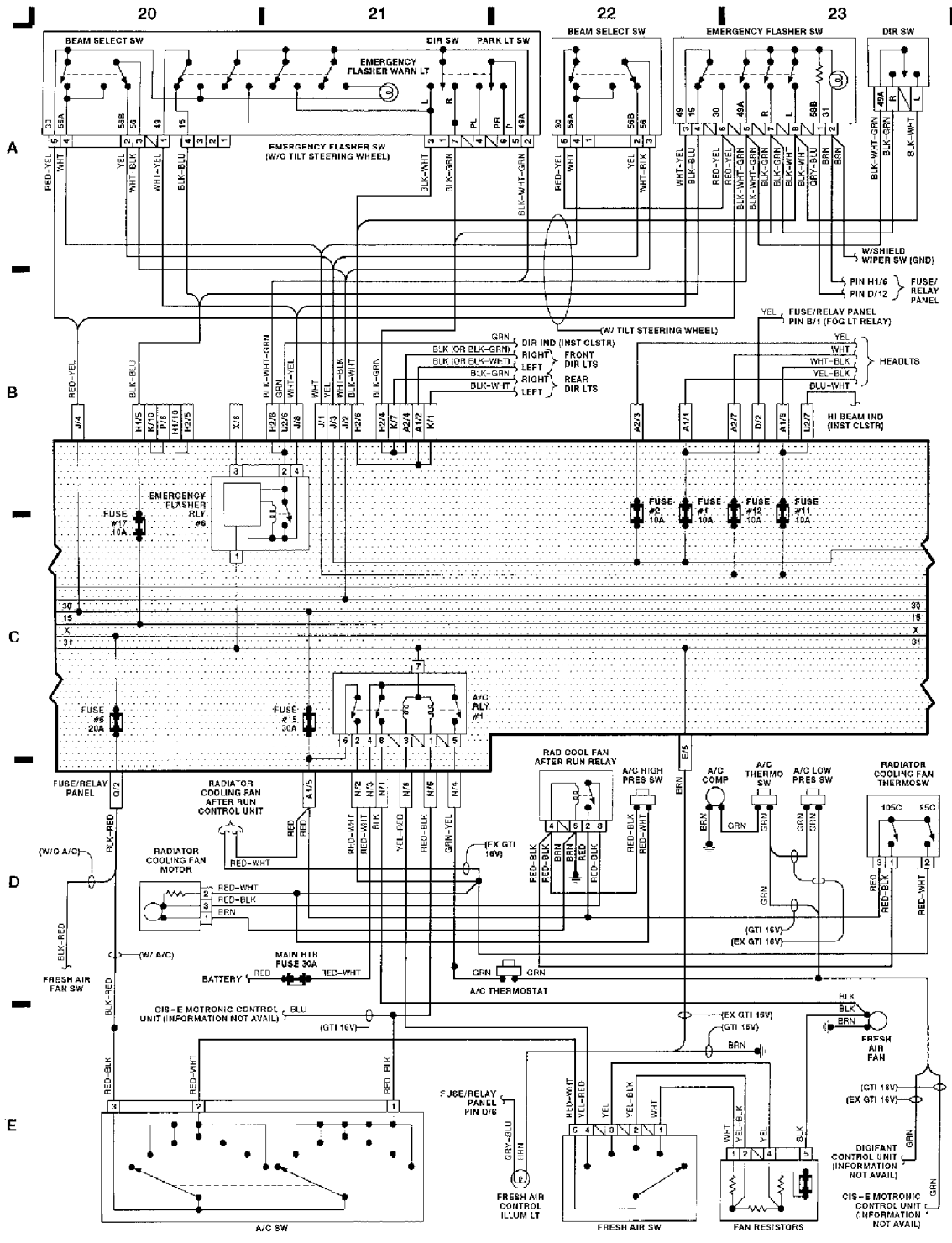


Fig. 6: Fuse/Relay Panel 2 of 4, A/C & Heater (Grid 20-23)



**WIRING DIAGRAMS**  
**Article Text (p. 9)**  
 1991 Volkswagen Golf  
 For <http://volkswagen.msk.ru>  
 Copyright © 1998 Mitchell Repair Information Company, LLC  
 Monday, January 29, 2001 12:34AM

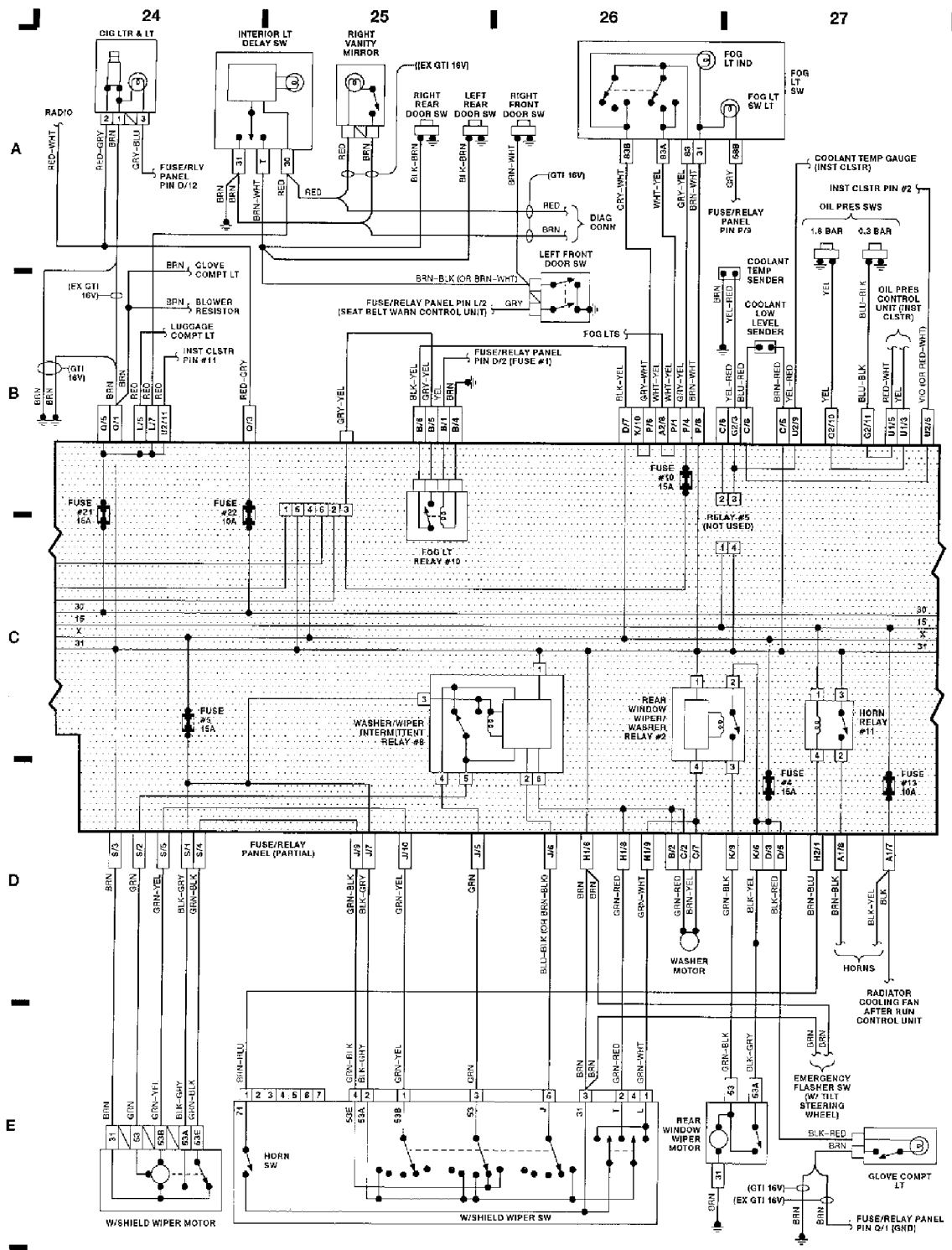


Fig. 7: Fuse/Relay Panel 3 of 4, W/Shield Wiper, (Grid 24-27)

**WIRING DIAGRAMS**  
**Article Text (p. 10)**  
 1991 Volkswagen Golf  
 For <http://volkswagen.msk.ru>  
 Copyright © 1998 Mitchell Repair Information Company, LLC  
 Monday, January 29, 2001 12:34AM

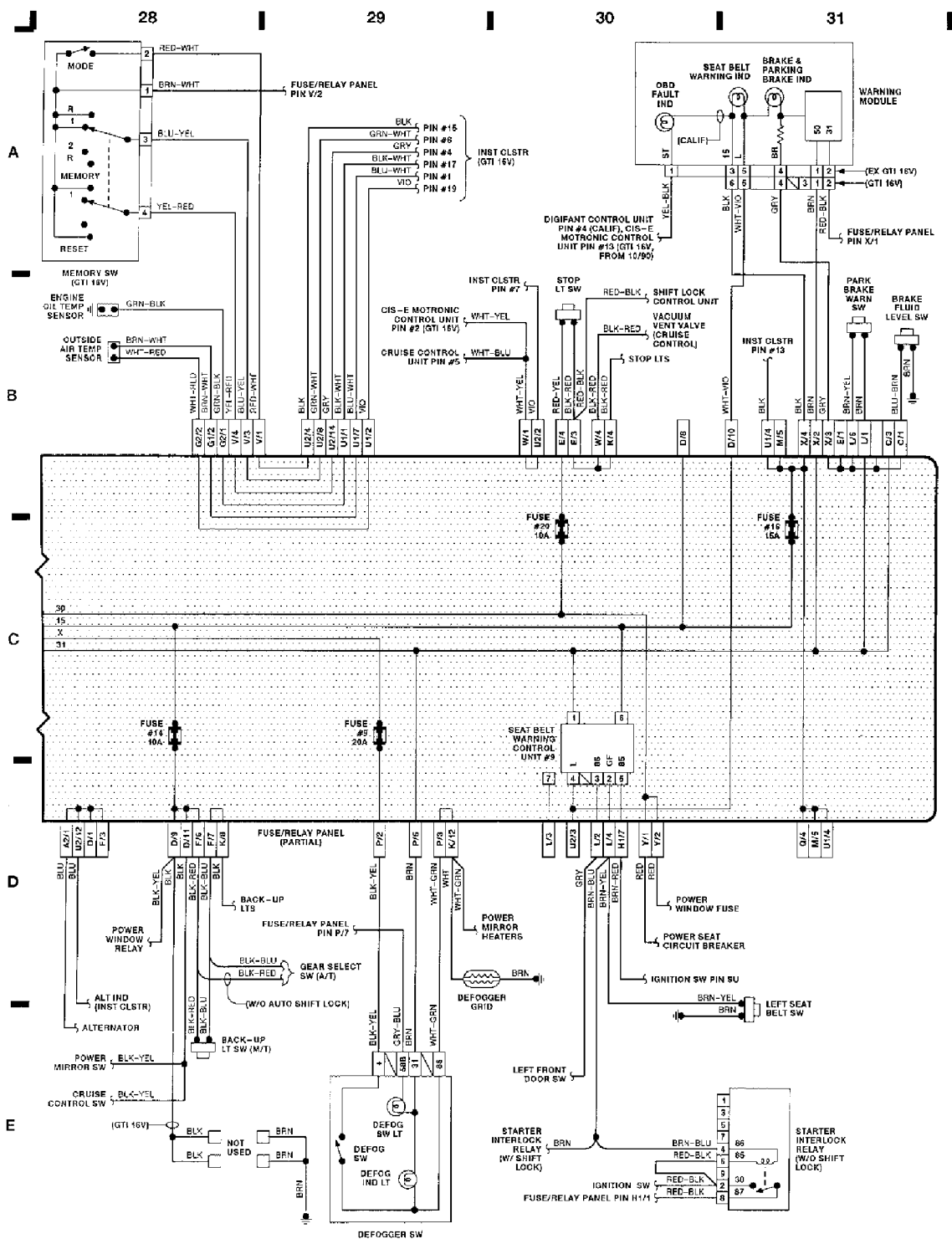


Fig. 8: Fuse/Relay Panel 4 of 4, Mem Sw, Warn Mod (Grid 28-31)

**WIRING DIAGRAMS**  
**Article Text (p. 11)**  
 1991 Volkswagen Golf  
 For <http://volkswagen.msk.ru>  
 Copyright © 1998 Mitchell Repair Information Company, LLC  
 Monday, January 29, 2001 12:34AM

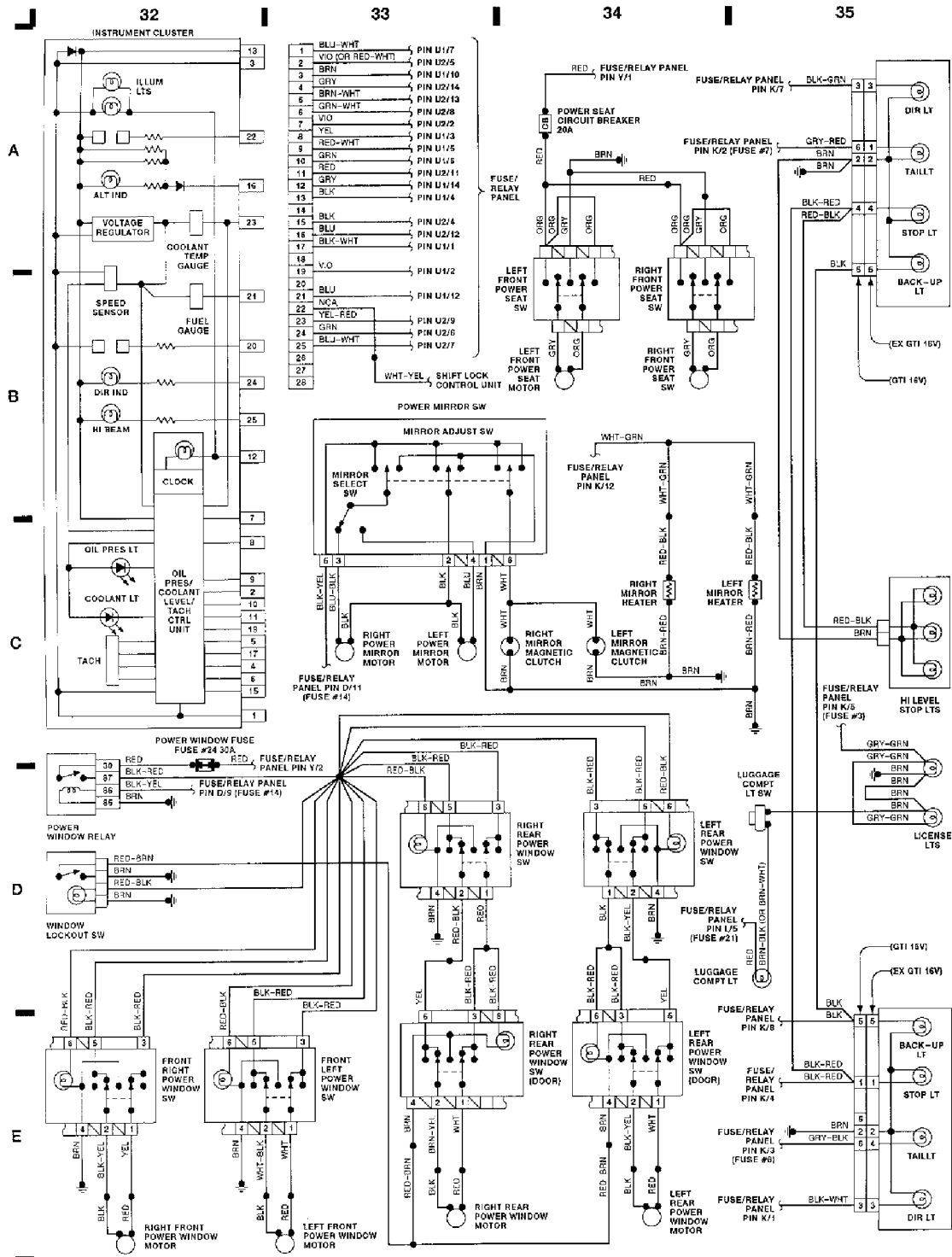


Fig. 9: Inst Clstr, Pwr Window/Mirror, Taillights (Grid 32-35)

END OF ARTICLE